

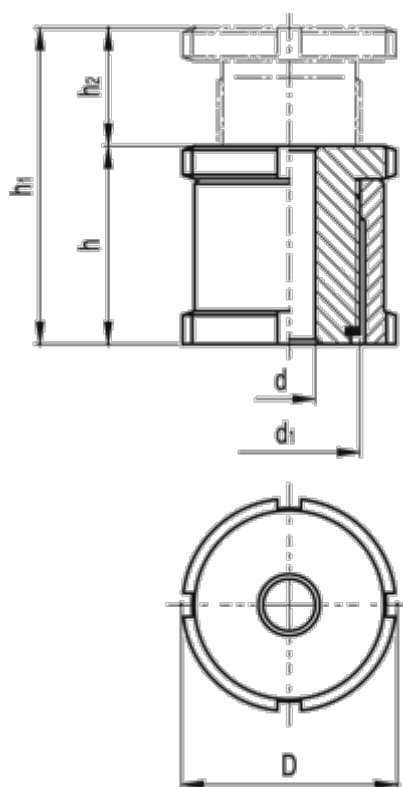
Data Sheet



Article number: 20662172

Description: E+G Levelling set
GN 350-32-6.6-A-NI

Measures



C-spanner DIN 1810 = A30-32

d = 6.6

D = 32

d_1 = M20x1

For screw = M6

h = 35

h_1 = 55

h_2 = 20

Max static load (N) = 43.4

Static preload (N) = 36.6

Weight (g) = 163